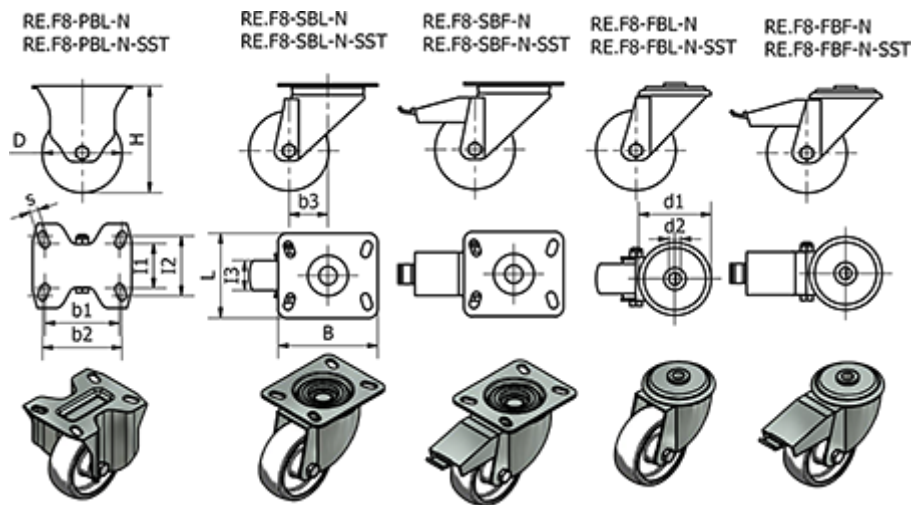


Article number: 2314450901

Description: E+G polyamide wheel

RE.F8-80-FBF-N-SST - Turning plate w/brake in Stainless steel

Measures



= -	d2	= 12	Rolling resistance (N) = 1500
B =	Dynamic carrying capacity (N) = 1800		s =
b1 =	H = 107		Type = RE.F8-80-FBF-N-SST
b2 =	l1 =		Wight (g) = 520
b3 = 39	l2 =		
Code = 450901	l3 = 30		
D = 80	L =		
d1 = 73	R = 120		